

#TL100150

INSTALLATION MANUAL

CI100051

APR EA888 Gen3B MAF Adapter

APR



Notes:

These instructions were written for a North American specification cars with EA888 Gen 3B engines (like the Tiguan and A3), but other models, are similar.

When disassembling the car, be sure to keep all fasteners so they can be reused. It is recommended that you get some kind of compartmented tray to organize the fasteners, such as a fishing tackle box or several large ice cube trays. Fasteners that are not reused for reinstallation are noted in the instructions. All directions used in this manual (right, left, front, etc.) are based on if you were sitting in the drivers seat of the car.

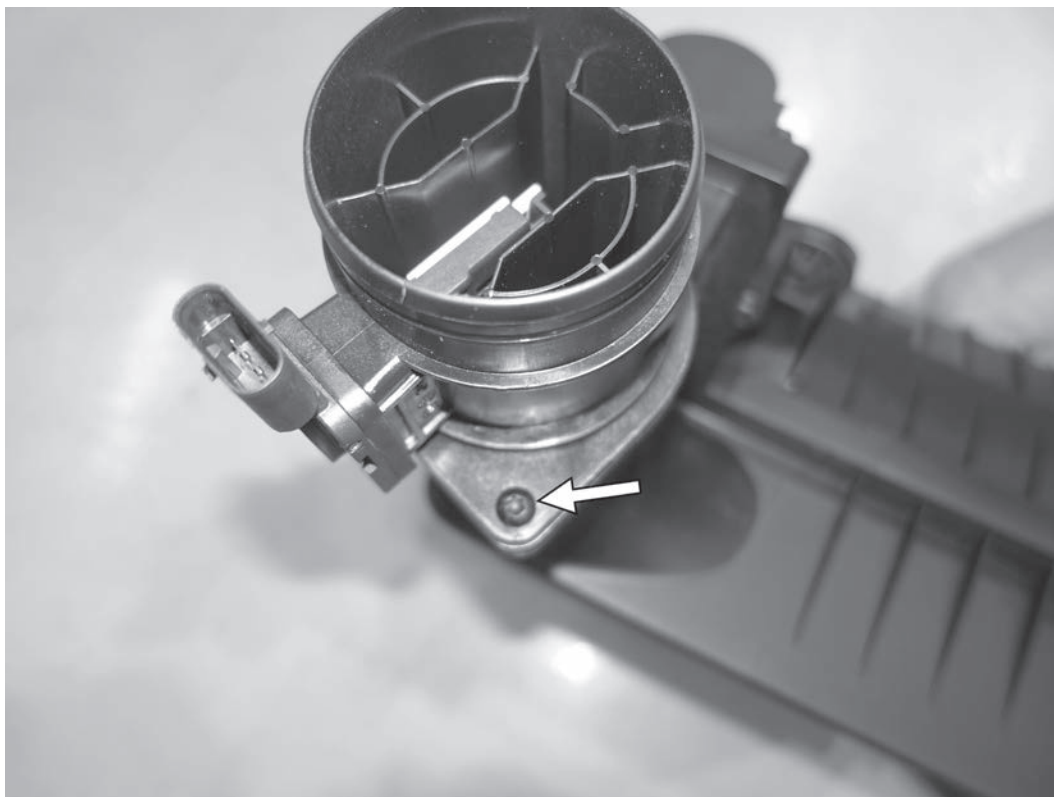
These instructions assume that you have basic mechanical skills and several varieties of basic hand tools in order to install the kit. If you have any questions about the install, feel free to contact your APR representative.



WWW.GOAPR.COM

4800 US HWY 280 West Opelika Alabama 36801

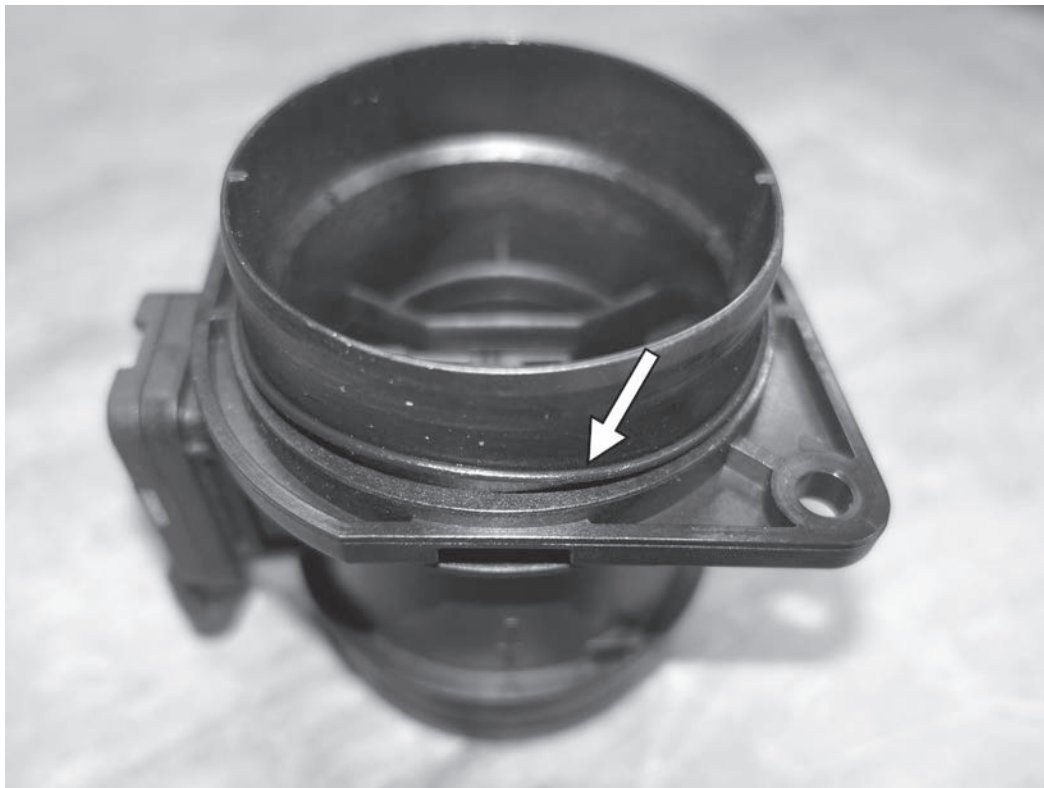
TL100150



1) Remove the two T25 screws holding the Mass Air Flow meter (MAF) to the back of the factory airbox. Pull the MAF away from the airbox to separate it from the airbox.

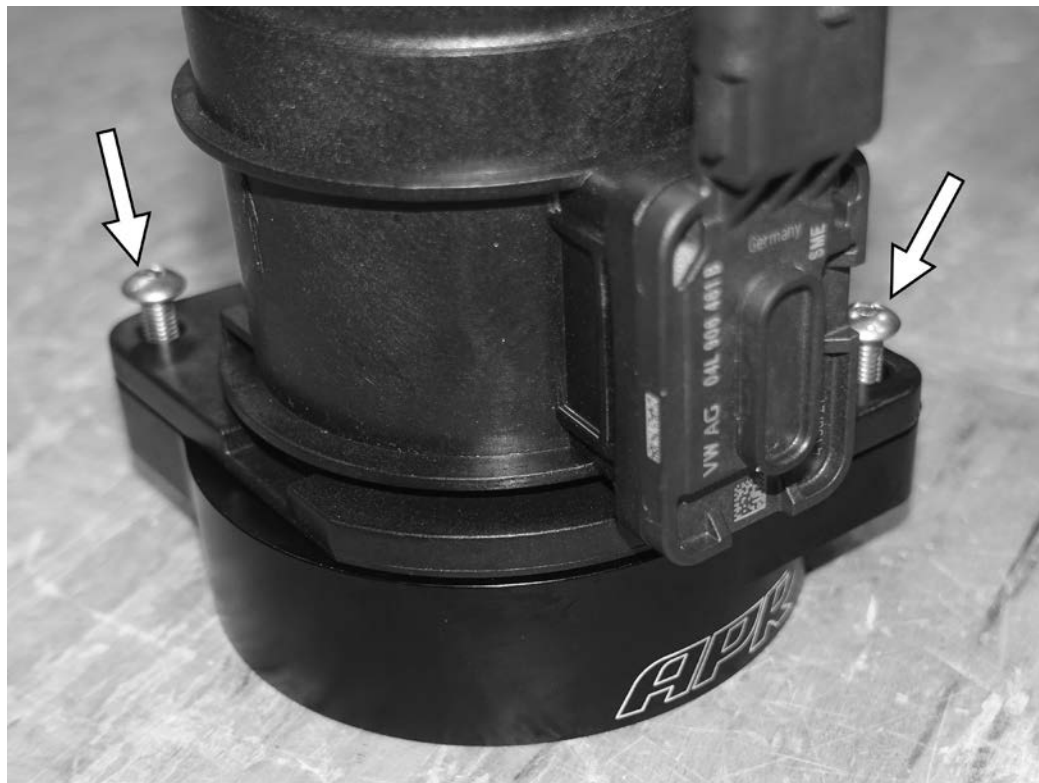
2) Lubricate and the install the thicker supplied o-ring into the inner groove of the APR MAF adapter.

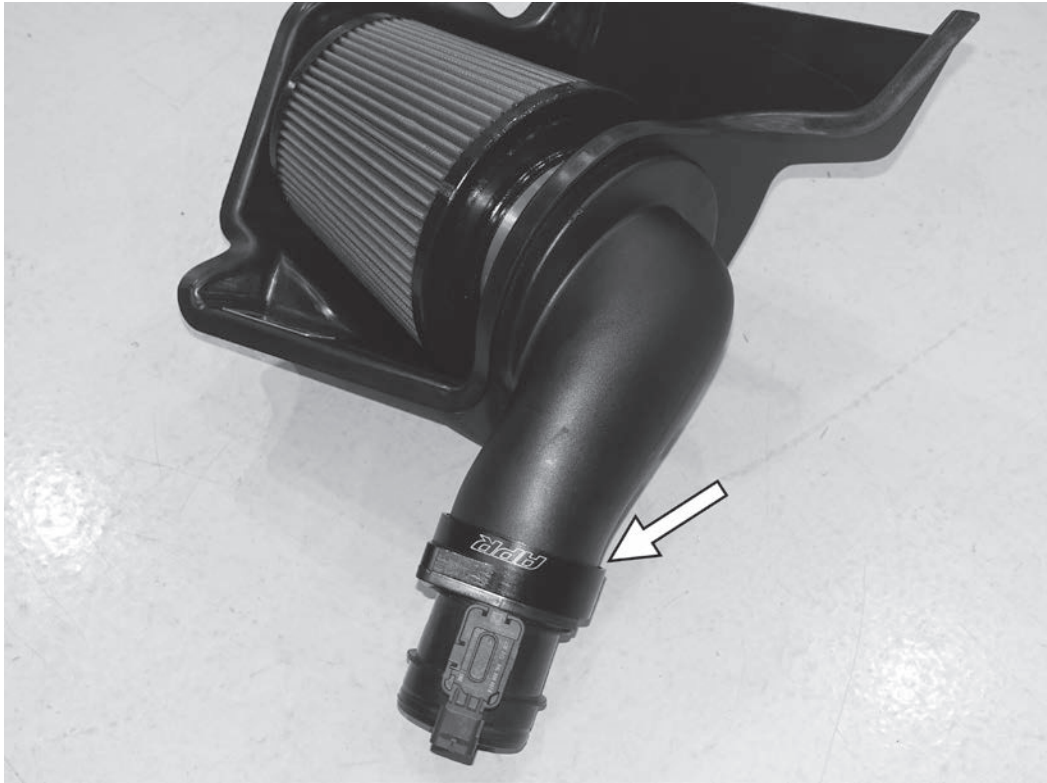




3) Install the thinner, supplied o-ring around the base of the inlet of the MAF sensor.

4) Install the MAF sensor into the APR adapter. Place the supplied thread locking compound to the end of the supplied screws. Align the holes of the adapter to the holes in the MAF (they will only align one way), and install the supplied screws. Tighten the screws to 4.5Nm (40in-lbs) in order to sufficiently seal the outer o-ring on the base of the MAF to the APR adapter.





5) Push the MAF sensor with the APR adapter onto the outlet of the APR airbox. Make sure the o-ring remains in place, to seal the inside of the APR adapter to the outside of the airbox.

APR

#TL100150

GO APR.COM